

# System 8200 and 6200 LR and SR Pedestals



## Assembly Instructions

The Atlantic Technology LR and SR Pedestals were designed to provide an attractive and stable base for the System 8200 and 6200 front and surround speakers, allowing you great flexibility in placement and use. This sheet will guide you through the assembly process. Please follow each step carefully.

**CAUTION:** *The Pedestals were designed for placement underneath the satellite speakers. We recommend that you exercise great care when lifting or moving the LR satellites because they are large and quite heavy.*

*Also, never use the Satellite/Pedestal combination without the Spike Mounting Plates and Spikes.*

**NOTE:** *You may notice some very small holes in the LR Pedestals. They are used with the optional Accent Side Panels and are of no consequence if you are not using these kits.*

### Preliminary Steps

Before placing the satellite speakers on their respective pedestals you need to perform several tasks, including attaching the Spike Mounting Plates and Spikes, filling the Pedestals with “dead” sand, and inserting the satellite locating pins.

### Installing the Pedestal Spikes

We recommend that assembly and filling take place near the final location for the speakers. Turn the Pedestal over on its top, carefully placing it upside down on a protected surface (i.e. newspapers, an old blanket, or anything else that will protect the top of the Pedestal and the floor below, and that can be contaminated with any sand that may spill during the filling process).

Remove the Spike Mounting Plates from their package. Each plate has two holes at one end and a threaded stud at the other. Line up the two holes on the plate with a pair of threaded inserts on the bottom of the pedestal. Make sure the threaded stud is pointing up, away from the pedestal (see the exploded diagram on the opposite page). Attach the plate with two (2) 1/4 – 20 x 3/4 screws, securing them tightly in the threaded inserts with the supplied Allen wrench. Attach the remaining three plates in the same manner.

Remove the spikes from their package. Be careful of the pointed ends, as they are very sharp. Screw the broad end of the spikes onto the threaded studs of the Spike Mounting Plates (see the exploded diagram on the opposite page). Finally, screw the pointed tip all the way onto the spike body.

### Carton Contents

Description	Quantity	
	LR PED	SR PED
Pedestal	1	2
Cast tapered Spikes with adjustable, removable tips	4	8
Dimpled Spike Cups	4	8
Spike Mounting Plates (feet)	4	8
1/4 – 20 x 3/4 inch button-head Allen screws	8	16
Threaded Satellite Locating Pins	4	8
Heavy-duty plastic liner bag	1	2
Wire tie	1	2
Allen Wrench	1	1

*If any items are missing please contact Atlantic Technology at 781-762-6300 or your Atlantic Technology Dealer.*

### Tools and materials needed for proper assembly (not included):

- A small slotted screwdriver
- 20-25 pounds of sterile sand for each pedestal
- A large plastic funnel
- A large scoop

### Filling the Pedestals with Sand

If you haven't already done so, spread some newspaper or other protective material on the floor to catch any sand that might spill. Now turn the Pedestals over with the large opening in the top facing up. If they will be placed on a hard surface (wood or tile), place a Dimpled Spike Cup under each Spike tip to avoid damaging the floor. Use care when lifting and turning the Pedestal over so as not to risk injury from the spikes. We recommend that you have help when turning the Pedestal over to avoid any problems.

### Running Speaker Wire

There are two holes on the back of the Pedestal. These are for concealing the speaker wire from the satellite once it is mounted. Thread the end of the speaker wire into the Pedestal through the bottom opening and back out the top. Leave enough wire to comfortably connect to the satellite speaker as it will be difficult to pull more out once the Pedestal is filled with sand.

**IMPORTANT NOTE:** *You must fill the Pedestals with sand in order to insure adequate stability. If you do not fill the Pedestals with sand as instructed herein Atlantic Technology cannot assume any responsibility for damage or harm caused by speaker/pedestal instability.*

You will need approximately 25 pounds of sterile sand to fill each 8200 pedestal and 20 pounds for each 6200. This is the same kind of sand that is typically used to fill children's sandboxes and is generally available at home centers, hardware stores, and recreational stores. As noted above, perform this operation close to the final speaker location, as the Pedestal will become quite heavy once filled with sand.

Place one of the heavy-duty plastic liner bags inside the Pedestal. Carefully tuck it down inside the Pedestal, using a broom handle or other similar instrument to make sure the bag sits all the way down into the bottom of the cavity. Fold the top of the bag over the outside of the Pedestal. Using a scoop or small container and a funnel, transfer the sand carefully into the Pedestal. Don't pour sand directly from the bag, as it may flow too fast and tear the liner bag or pull it into the Pedestal. Fill the bag half-way to the top of the pedestal. Carefully seal off the bag using the included wire ties.

### Placing the Satellite on the Pedestal

Along with an assistant, set the Pedestal in its final location. Screw one Satellite Locating Pins into each of the four threaded inserts on the top of the Pedestal as far as they will go. A small screwdriver can be used if needed. Use care to not cross-thread the Pins. Be sure to screw them all in an equal amount as the satellite speaker will be resting on the rounded ends of these pins.

Now carefully lift the satellite speaker and place it on the Locating Pins. This is best accomplished by tipping the speaker slightly back while locating the rear sockets over their Locating Pin counterparts. Once the rear pins are within their sockets, gently tip the speaker forward and the front pins should line up and slip into the front sockets.

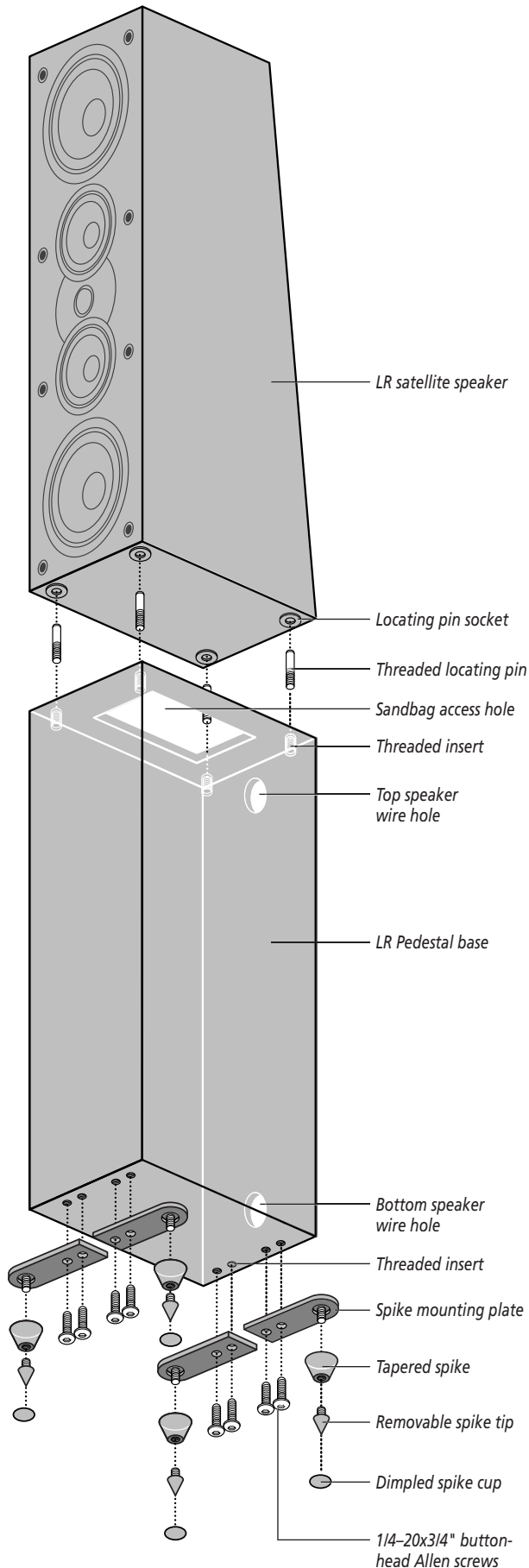
### Leveling

The Satellite/Pedestal assembly can be leveled using the adjustable Spike tips. Simply unscrew whichever tip(s) are necessary to level the unit, being careful not to rotate the tip more than 5 turns.

### Cautions

The satellite speaker sits free on top of the Pedestal. It is important not to try and lift the entire assembly once they are together. If you must move them, first separate the satellite from the Pedestal and move them independently. Be careful not to tip the Satellite/Pedestal combination too far, as there is the possibility that it could fall over. Take special care on thick carpets and/or when children are present.

8200LR-PED and 6200LR-PED



8200SR-PED and 6200SR-PED

