

# System 8200 and 6200 Accent Panel Kits



343 Vanderbilt Avenue Norwood, MA 02062 (781) 762-6300 www.atlantictechnology.com

## Assembly Instructions

These Atlantic Technology Accent Panel Kits were designed to enhance the appearance of System 8200 and 6200 speaker components, creating an attractive and elegant furniture look. This sheet will guide you through the assembly process. Please follow each step carefully.

**IMPORTANT NOTE:** As wood is a natural product there will always be variations in the grain structure and coloration from tree to tree, and therefore, from panel to panel. Atlantic Technology does not custom match Accent Panels and no guarantee of matched panels is expressed or implied.

Also note that both Maple and Cherry woods will change their color slightly as time passes. Maple takes on a golden glow as it ages, while Cherry darkens in color. Long-term exposure to pollutants, certain polishes, and sunlight can and will change the color of natural woods as well.

Before attaching these panels to your Atlantic Technology components, completely unpack the kits and check to insure you have all the needed items.

We strongly recommend that you set up a safe place to attach the Accent Panels to the enclosures. An open, carpeted area that won't

scratch the panels and is large enough to allow turning the enclosures over from side to side is best. If no such area is available, you can use several bath towels, blankets, or other protective materials to protect the enclosures and panels.

### Installation

Remove the Accent Panels from their packing and put them aside in a safe location. Find the Steel Mounting Clips and the 4 x 1/2 stainless steel #1 Phillips flat-head screws. These are to be installed on the enclosure(s). You will find small pilot holes drilled into the enclosures every place that a clip is to be mounted. Please see the exploded diagrams on the opposite page for the Mounting Clip locations of your particular enclosure(s). The clips must be placed with the outer tab openings facing up when the enclosure is standing upright (see the close-up diagram on the opposite page).

**IMPORTANT NOTE:** We do not recommend that you lay the speaker down on its side/front/back to install the clips as you may bend the tabs of the clips already installed. Have an assistant hold the enclosure from the opposite side, both to stabilize the assembly and allow you to apply adequate force while driving the screws.

Install the clips as shown in the diagram(s), making sure that the screws are fully seated and flush with the clip surface. Screw all the Mounting Clips to the enclosure before attempting to attach any panels. Once all the clips are installed, check that none of the tabs have been bent.

Arrange the Accent Panels on the floor according to how they will be attached to the enclosure. The rounded edges of the side panels point towards the

front of the enclosure (see diagrams on the opposite page). Mounting Clips have been pre-installed on the Accent Panels. Orient the panels so that the tabs of their Mounting Clips are facing down. They will slide into and mate with the clips you just installed on the enclosure. Attach the panels one at a time by carefully aligning them with the side of enclosure and about 1-1/2 to 2 inches above their final location. Slide the panel down while pressing against the enclosure. If necessary, have an assistant hold the opposite side of the enclosure so that it doesn't tip over.

**IMPORTANT NOTE:** Make sure that all the Mounting Clips are aligned and engaged before sliding the panel down.

The Mounting Clips should align and lock together, holding the panel tightly against the enclosure. If necessary, you can use a soft rubber mallet to gently tap the panel down until fully seated.

**CAUTION:** To protect the panel edge against damage while using the mallet, cover it with a piece of cloth, several sheets of newspaper, or a magazine. Use extreme care when installing the front panel of the Pedestal Subwoofer to avoid damaging the IR Window. Press down only at the very ends of the window, or along the front edge where it is directly supported by the wood below.

Install all the Accent Panels in the same manner, being careful not to damage or scratch those already installed.

**NOTE:** When installed, the tops and sides of the Accent Panels will protrude slightly beyond the enclosures. This is normal and should be taken into consideration when attaching the panels.

When you are done, use care when moving the enclosures as the panels are only held on by friction. If lifting or moving the enclosure, tip it and pick it up from the front and rear without putting any pressure on the panels that might cause them to slide off.

### Accent Panel Care

Treat your Accent Panels as you would any fine furniture, using good quality wood care products. To maintain the shine of the wood finish, use a spray wax such as Pledge. If necessary, the panels can be cleaned with a liquid cleaner like Murphy's Oil Soap or other similar product.

### Carton Contents

Description	Quantity			
	LR Speaker	Center Speaker	Pedestal Subwoofer	Empty Pedestal
Accent Panel	4	2	8	6
Steel Mounting Clip	20	6	44	32
4 x 1/2 Stainless Steel #1 Phillips Flat-head Screws	40	12	88	64

If any items are missing please contact Atlantic Technology at 781-762-6300 or your Atlantic Technology Dealer.

#### Tools and materials needed for proper assembly (not included):

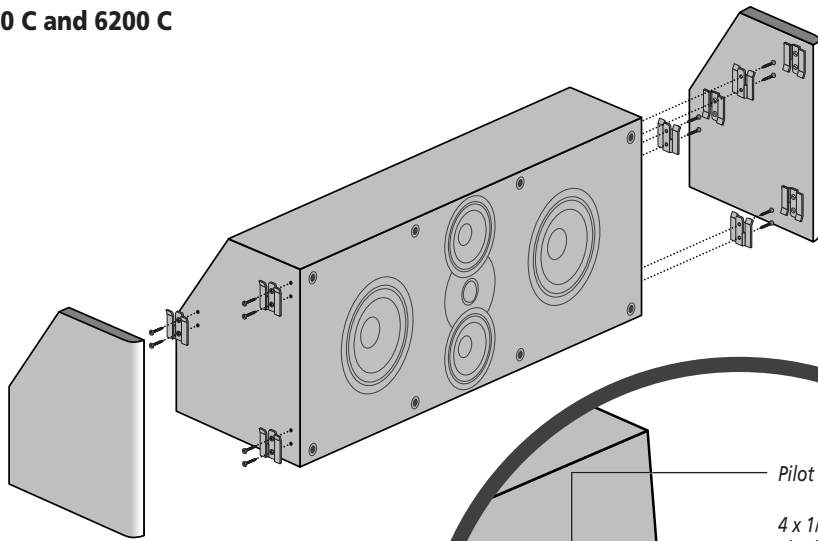
A good quality #1 Phillips screwdriver

**OR**

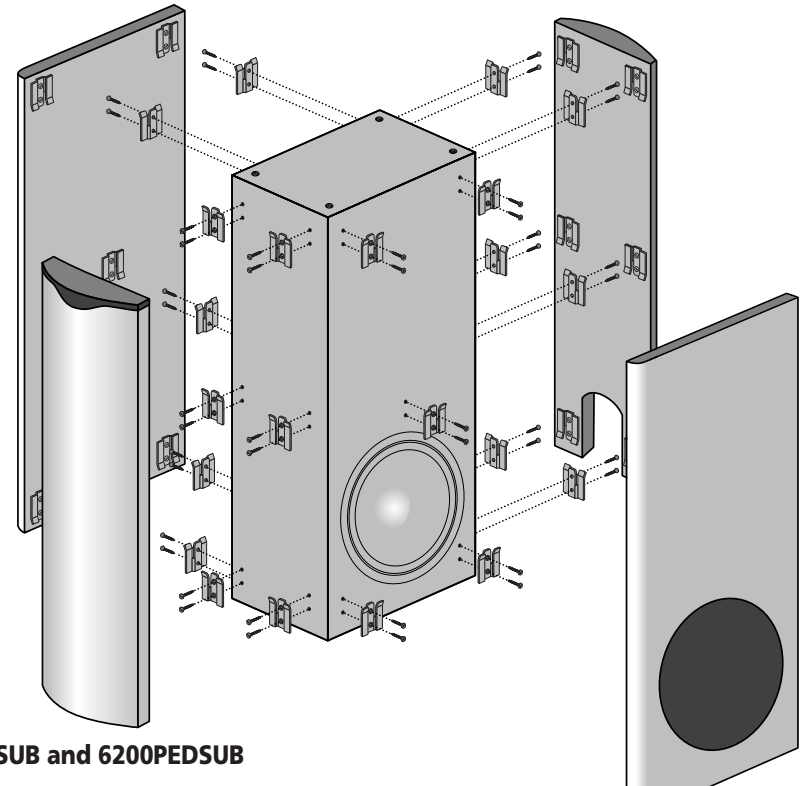
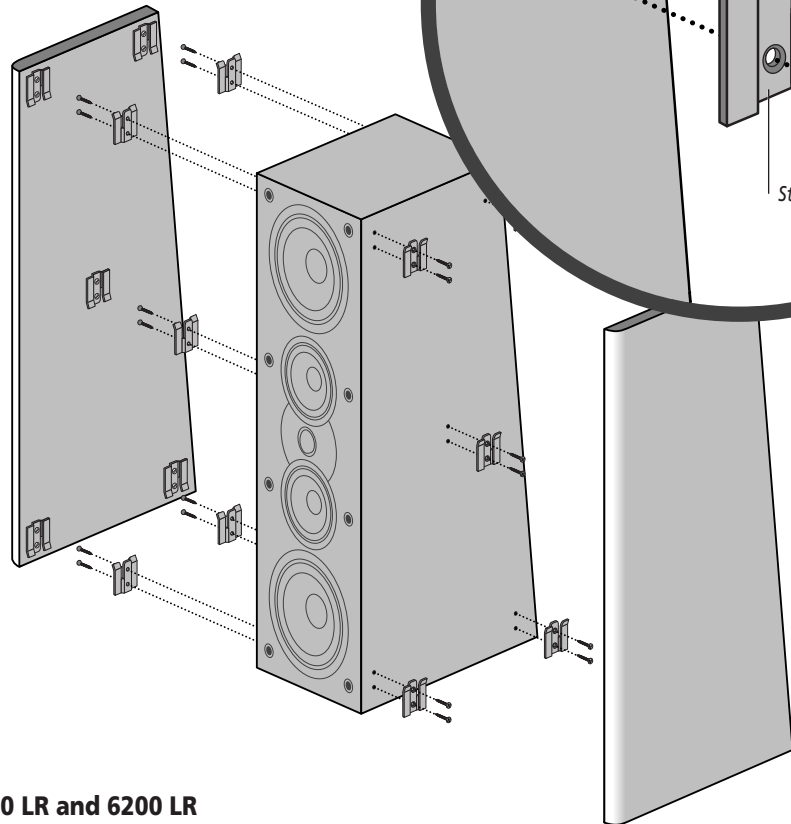
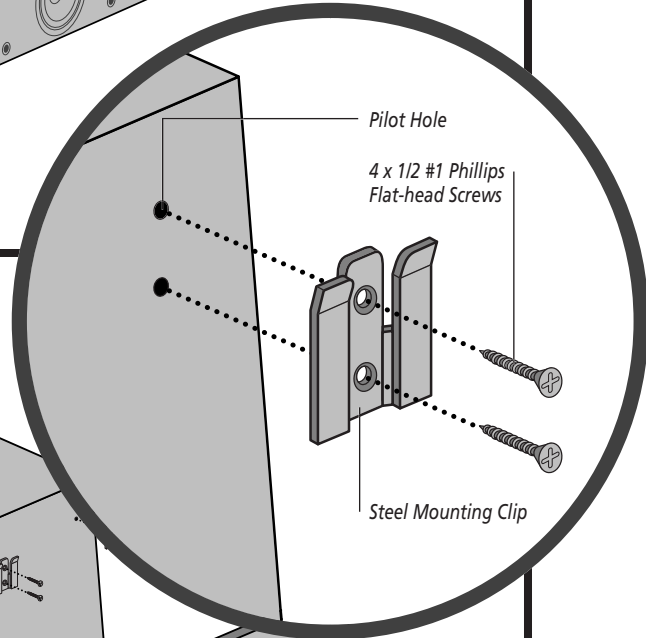
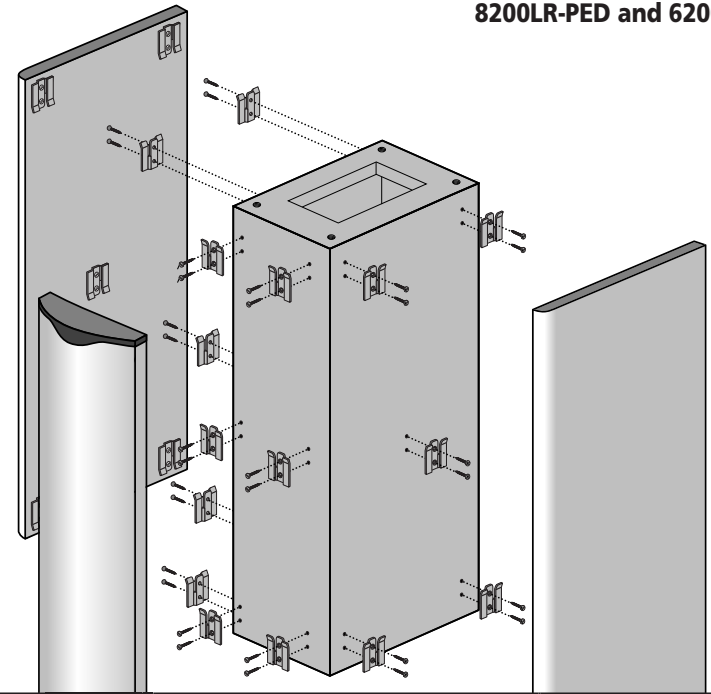
If you wish, using a power driver is fine, but be sure to set the driver to slow speed, and set the driver's clutch to the lowest setting possible that still drives the screws fully.

A compact soft rubber mallet

8200 C and 6200 C



8200LR-PED and 6200LR-PED



8200 LR and 6200 LR

8200PEDSUB and 6200PEDSUB