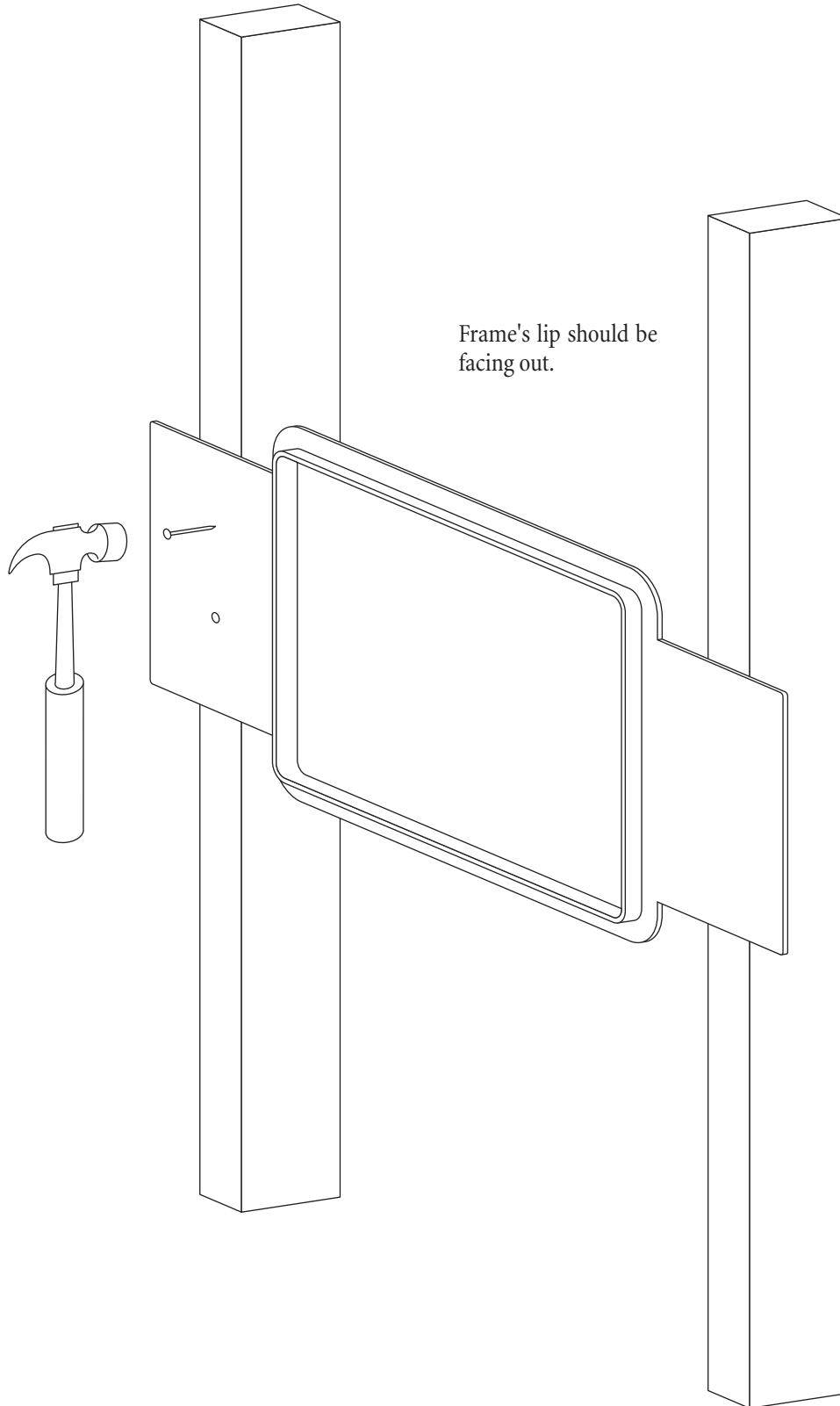


**IWCB-14 SR and 30 SR  
New Construction Brackets  
IN-NC-14/30**



Frame's lip should be facing out.