

ICTS-6.1-IP Ceiling Speakers

Atlantic TECHNOLOGY

Installation Instructions

Thank you for purchasing Atlantic Technology speaker products. These high quality 2-way speakers solve a myriad of surround sound and distributed audio installation problems. We work very hard to ensure that all of our speakers consistently deliver exceptional performance and value.

We hope you enjoy them to their fullest. Please take a moment to read these instructions so you can get the most from your speakers.

Mounting Specifications

These speakers are intended for mounting in a ceiling, in material ranging from ½ inch to 1 inch thick. They require at least 4 5⁄8 inches of depth as measured from the front surface of the ceiling. The cutout opening for the ICTS-6.1 is 7 3⁄8 inches in diameter (3 11⁄16 inches radius). These speakers will work equally as well in a wall as in a ceiling; however note that they require more mounting depth than is normally available in a 2x4 studded wall.

Mounting Locations

Generally, it's best to keep the speaker at least 24 inches away from any nearby wall boundaries (wall/corner), since placing any speaker in close proximity to other boundary surfaces will artificially reinforce the upper bass/lower midrange sound, adversely "coloring" the sound that the speaker produces.

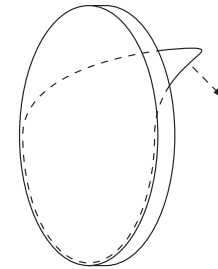
The ICTS-6.1's 1-inch dome tweeter is mounted in a pivoting housing, so it to can be directed precisely towards the listening area for best sound.

Model ICTS-6.1

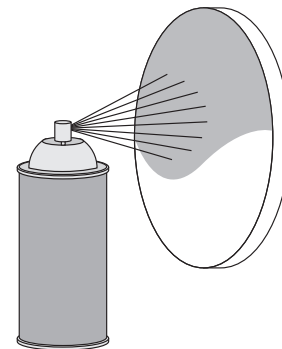


When painting the grille...

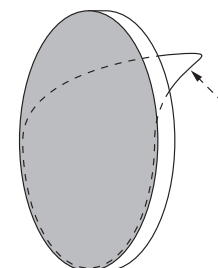
1. Remove Scrim



2. Paint Grille



3. Reapply Scrim



Specifications

Dimensions	8 3⁄16" (220 mm)
Cutout Dimensions	7 3⁄8" (188 mm)
Mounting Depth (from front surface of ceiling)	4 5⁄8" (118 mm)
New Construction Bracket (optional)	IC-NC-6.1
In-ceiling Back Box (optional)	IC-BOX-6/8
Frequency Response	59-20kHz +/- 3dB
Sensitivity	88dB 1Watt/1 Meter
Recommended Amplifier Power	10-100 Watts RMS
Impedance	6 ohms
Woofer	6 1⁄2" Polypropylene cone
Tweeter	1" Pivoting soft dome
Net Weight	4.6 Lbs (2.1 kg)

New Construction and Retrofit Installations

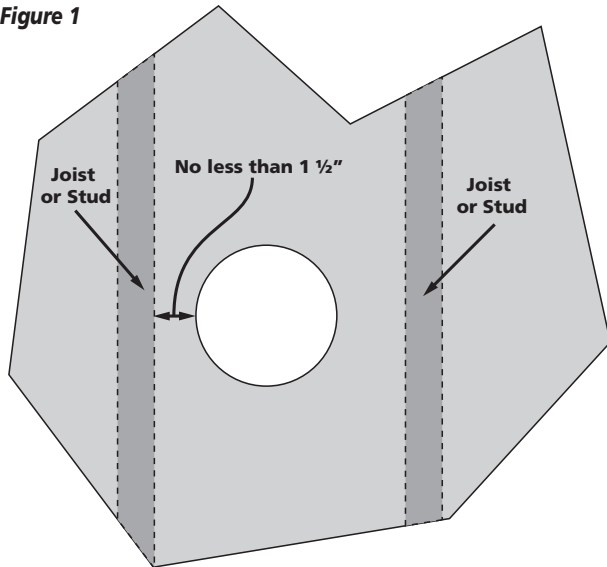
Note: A new construction rough-in kit and back box kit are optionally available from Atlantic Technology. Please refer to the instructions included in those kits for their use. If the rough in kit has been used please go directly to Step 2 below.

Mounting Hole Specifications:

ICTS-6.1: Diameter = 7 3/8 in., 188mm; Depth = 4 5/8 in., 118mm

- 1 Cut an appropriately sized opening in the ceiling material. Be sure that the ceiling material can support the weight of the speaker. Also be sure that the sides of the opening are at least 1 1/2 inches away from any beams or studs within the cavity. If it is not, the rotating clamps will be restricted in their movement and may not clamp properly.

Figure 1

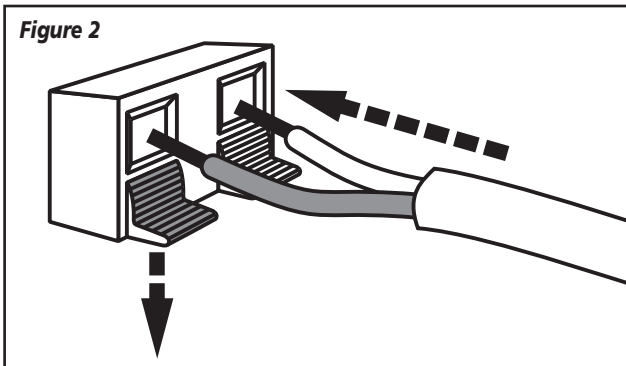


- 2 Be sure that all foreign material in the ceiling is kept out of the speaker assembly, particularly the back of the woofer cone. There is a cloth shield on the rear of the woofer, but please use care anyway.

3 For conventional Connection to an audio amplifier/receiver:

Attach the speaker wires that have been already run through the ceiling to the speaker terminals. Simply remove 1/2 inch of insulation from the end of each input wire. Push down on the terminal connector and an opening will appear in the connector that is capable of holding up to 14 gauge wire. Insert the bare wire into the opening and release the terminal. Be sure to observe correct polarity, connecting the positive (+) leads to the red terminals and the negative (-) leads to the black terminals. Also be sure that no stray strands of wire touch across any terminals. See Figure 2.

Figure 2



For Connection to an IP-type system, like NetStreams®:

Unscrew the 4 setscrews on top of the built-in Phoenix connector and pull the wires away from the connector. See Figure 3 (You may tie or clip the wires that used to connect here.)

Connect the wires from the NetStreams amplifier to the ICTS-6.1's Phoenix connector and screw down tightly. Consult your NetStreams manual for wiring details.

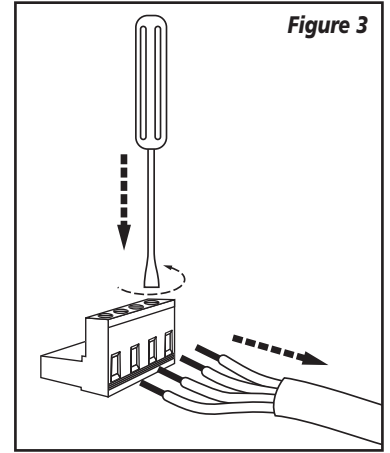


Figure 3

- 4 Mount the speaker in the ceiling. Tighten the mounting screws one at a time. As you tighten the screws, the clamps on the back of the assembly will turn and lower, grabbing the back of the ceiling and sandwiching the ceiling between themselves and the frame's circular trim ring.
- 5 Snug all four mounting screws in this manner. Be careful not to over-tighten them.

IMPORTANT: If you are using an electric screwdriver, make sure it is set to the "low torque" position.
- 6 You may now install the grille into the frame by gently pushing it into the recess.

Figure 4

